

MOTOR REFERENCE

Actionjac™ Worm Gear Screw Cylinders can be ordered with industrial quality AC induction brakemotors. All motors have internally wired, integral spring actuated brakes. Standard motors are 3-phase, 230-460 VAC, 60hz, 1725 rpm. Single-phase motors are 115-230 VAC, 60hz, 1725 rpm. Specific environmental duty motors may be supplied upon request.

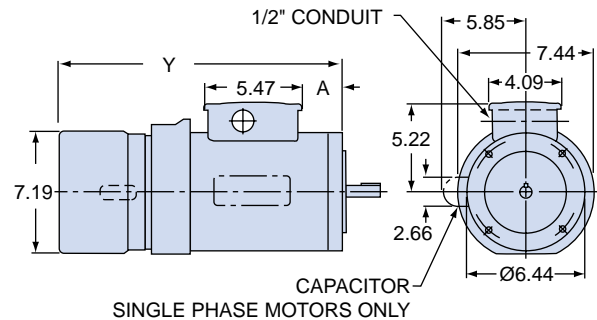
NOTE: Specifications apply to Series 25 through 200 worm gear cylinders only. For all other cylinders, contact Nook Industries.

See charts for order codes and motor mount dimensions.

See the Reference Number System, Input Shaft designation, on page 362.

CLEARANCE DIMENSIONS: BRAKE MOTORS 1/4 – 2 hp

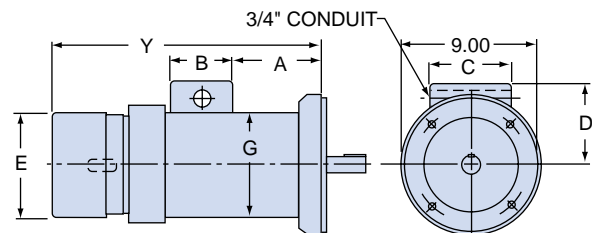
HORSEPOWER	CODE		A	Y	WEIGHT (LBS.)
	3Ø (Standard)	1Ø (Optional)			
1/4	023	021	2.05	13.78	30
1/3	033	031	2.05	13.78	30
1/2	053	051	2.05	13.78	38
3/4	073	071	2.05	14.78	40
1	103	101	2.05	14.78	40
1 1/2	153	N/A	3.05	15.78	44
2	203	N/A	3.49	16.22	50



(NOTE: All clearances dimensions in the chart shown above are approximate)

CLEARANCE DIMENSIONS: BRAKE MOTORS 3 – 7 1/2 hp

HP	CODE	A	B	C	D	E DIA.	G DIA.	Y	WT. (LBS.)
	3Ø								
3	303	5.98	4.00	5.38	5.97	7.16	7.89	17.72	75
5	503	6.98	4.00	5.38	5.97	10.18	7.89	21.95	110
7 1/2	703	8.88	3.25	4.00	7.46	10.19	9.56	23.81	155



(NOTE: All clearances dimensions in the chart shown above are approximate)

ORDERING A CYLINDER WITHOUT A MOTOR

These charts show input shaft codes that will accept your NEMA motor. Preferred designations are highlighted in blue. See the Reference Number System, Input Shaft designation, on page 362.

SERIES	CODE			
	56C	140TC	180TC	210TC
DD-25	X05	X14	—	—
DD-30	X05	X14	—	—
DD-50	X05	X14	X18	—
DD-100	X05	X14	X18	—
DD-200	X05	X14	X18	X21

SERIES	CODE			
	56C	140TC	180TC	210TC
RAD-25	X05	X14	—	—
RAD-30	X05	X14	—	—
RAD-50	X05	X14	X18	—
RAD-100	X05	X14	X18	—
RAD-200	X05	X14	X18	X21

HOW TO ORDER A MOTOR:

EXAMPLE: RAD-10086-HL / **103**-1 / 2CA-4 / CC / 24.5 / 2 / SRE

103 = 1 hp, 3 phase
X05 = No motor, accepts NEMA 56C