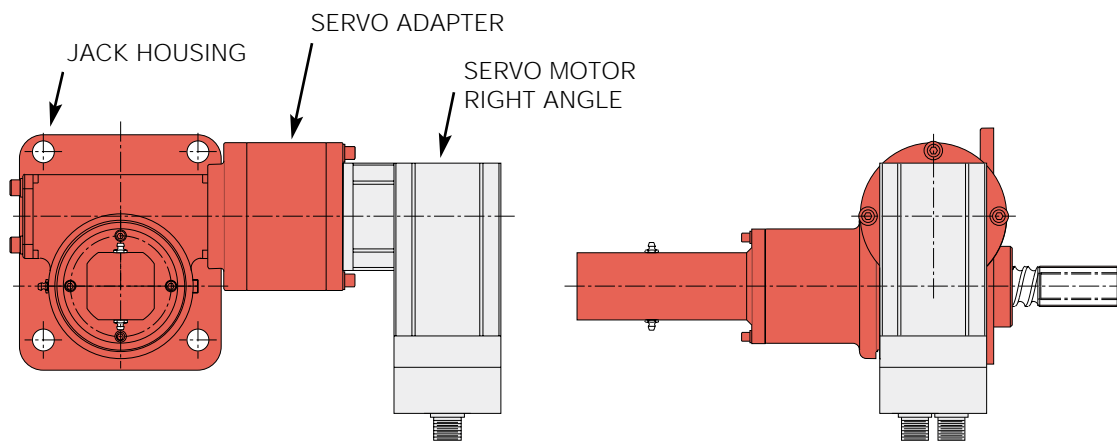


ActionJac™ Servo Jacks offer the ability to attach a servo motor to a ball screw or machine screw jack. Using an ActionJac™ Worm Gear Screw Jack with a servo motor increases control of acceleration, de-acceleration, travel rate and positioning accuracy compared with standard NEMA framed motors.

Illustrated below are two examples of jacks with servo motor adaptors manufactured by Nook Industries. Custom Servo Motor Adaptors are designed to accommodate any specified coupling and servo motor. Servo Jacks can be delivered as a complete assembly, including a vendor specified servo motor. Contact Nook Industries for further assistance with jack applications requiring servo motors.

KEYED INVERTED BALL SCREW SERVO JACK



INVERTED ROTATING BALL SCREW SERVO JACK

