



Nook ActionJac™ Trunnion adapter plates allow for easy installation in applications where the jack moves through an arc during operation. These jacks are typically configured with motor mounts or right angle reducers.

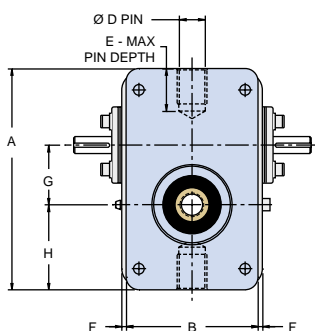
Trunnion adapter plates bolt to the jack flange and have precision bores for trunnion pins.

Design Information

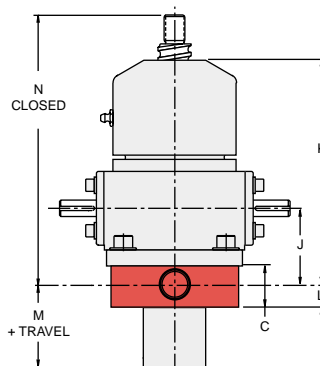
The trunnion pins should be supported to within 1/16 inch of the trunnion adapter plate. See the "A" dimension in the table for the width of the mounting plate. The maximum distance between the trunnion pin support mounting surfaces should be less than or equal to the "A" dimension plus 0.13 inches.

The trunnion pins should be ground to the "D" diameters shown in the table. The trunnion pins should be made from steel with a hardness greater than 30 HRC and a yield strength greater than 60,000 psi.

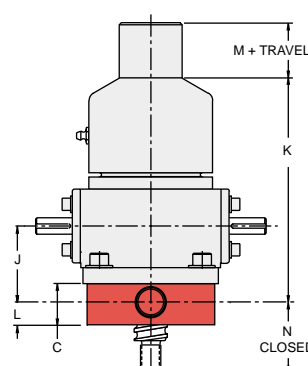
BSJ and MSJ Trunnion Bottom View



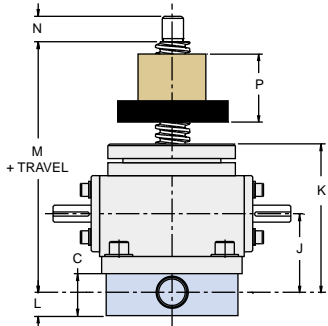
BSJ-U
(Ball Screw Upright)



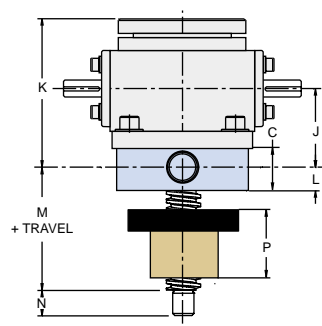
BSJ-I
(Ball Screw Inverted)



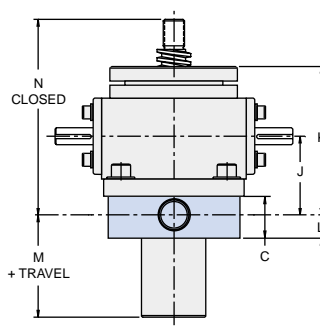
BSJ-UR and MSJ-UR
(Ball and Machine Screw Upright Rotating)



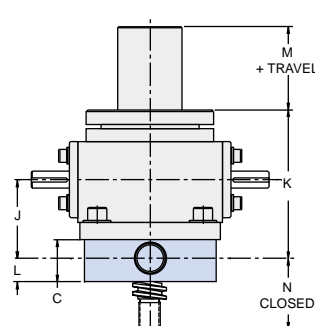
BSJ-IR and MSJ-IR
(Ball and Machine Screw Inverted Rotating)



MSJ-U
(Machine Screw Upright)



MSJ-I
(Machine Screw Inverted)



| JACK MODEL TRUNNION PART # | COMMON DIMENSIONS FOR U, I, UR & IR | | | | | | | | | | UPRIGHT | | INVERTED | | | UPRIGHT ROTATING | | | INVERTED ROTATING | | | | | |
|----------------------------------|-------------------------------------|------|------|------------------|------|-----|-------|------|------|------|---------|------|----------|-------|------|------------------|------|-------|-------------------|------|------|------|------|------|
| | A | B | C | D | E | F | G | H | J | L | K | M | N | K | M | N | K | M | N | P | K | M | N | P |
| 2.5-MSJ TA-0025 | 6.50 | 3.88 | 1.25 | .7491 .7479 | 1.25 | .13 | 1.750 | 2.50 | 2.32 | .69 | 4.38 | 1.38 | 5.75 | 4.38 | .69 | 2.06 | 4.38 | 7.38 | .75 | 2.00 | 4.38 | 3.69 | .75 | 2.00 |
| 5-MSJ TA-0050 | 8.25 | 5.75 | 1.50 | .9991 .9979 | 1.50 | .13 | 2.188 | 3.13 | 2.94 | .81 | 5.44 | 1.44 | 7.69 | 5.44 | .63 | 3.06 | 5.44 | 9.44 | 1.00 | 3.00 | 5.44 | 4.81 | 1.00 | 3.00 |
| 10-MSJ TA-0100 | 9.00 | 7.25 | 2.00 | 1.2488 1.2472 | 1.50 | .13 | 2.600 | 3.00 | 3.13 | 1.12 | 5.75 | 1.75 | 7.75 | 5.75 | .63 | 3.12 | 5.75 | 9.75 | 2.00 | 3.00 | 5.75 | 5.12 | 2.00 | 3.00 |
| 20-MSJ TA-0200 | 11.25 | 8.00 | 2.25 | 1.4988 1.4972 | 1.75 | .13 | 2.875 | 4.25 | 4.25 | 1.25 | 7.75 | 1.88 | 10.25 | 7.75 | .63 | 3.75 | 7.75 | 12.25 | 2.50 | 3.50 | 7.75 | 5.75 | 2.50 | 3.50 |
| 2.5-BSJ TA-0025 | 6.50 | 3.88 | 1.25 | .7491 .7479 | 1.25 | .13 | 1.750 | 2.50 | 2.32 | .69 | 6.81 | 2.31 | 8.19 | 6.81 | 1.63 | 2.06 | 4.38 | 7.75 | 1.13 | 2.38 | 4.38 | 4.06 | 1.13 | 2.38 |
| 5-BSJ TA-0050 | 8.25 | 5.75 | 1.50 | .9991 .9979 | 1.50 | .13 | 2.188 | 3.13 | 2.94 | .81 | 10.00 | 2.31 | 11.88 | 10.00 | 1.75 | 3.06 | 5.44 | 10.75 | 1.50 | 4.31 | 5.44 | 6.13 | 1.50 | 4.31 |
| 10-BSJ TA-0100 | 9.00 | 7.25 | 2.00 | 1.2488 1.2472 | 1.50 | .13 | 2.600 | 3.00 | 3.13 | 1.12 | 10.00 | 2.75 | 12.25 | 10.00 | 1.63 | 3.37 | 5.75 | 11.06 | 1.50 | 4.31 | 5.75 | 6.44 | 1.50 | 4.31 |
| 20-BSJ TA-0200 | 11.25 | 8.00 | 2.25 | 1.4988 1.4972 | 1.75 | .13 | 2.875 | 4.25 | 4.25 | 1.25 | 15.75 | 3.63 | 18.25 | 15.75 | 2.38 | 3.75 | 7.75 | 15.50 | 2.75 | 6.75 | 7.75 | 9.00 | 2.75 | 6.75 |