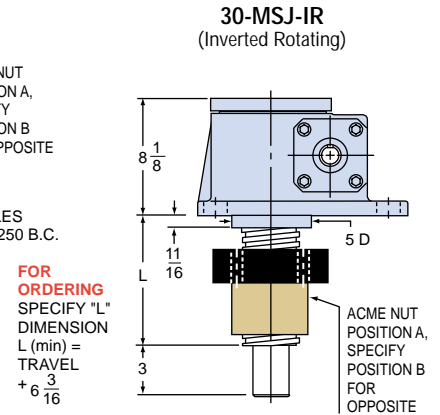
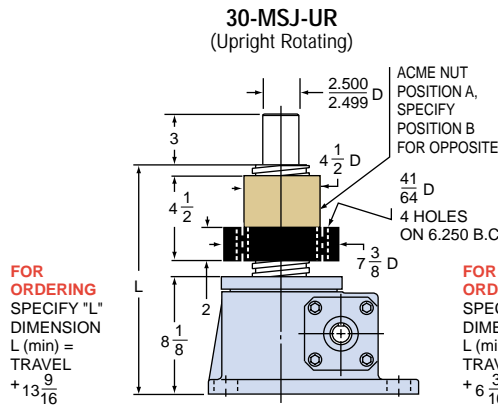
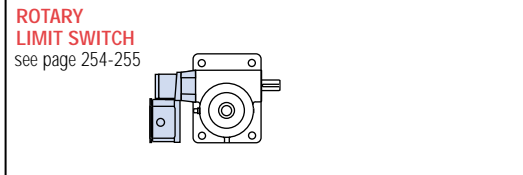
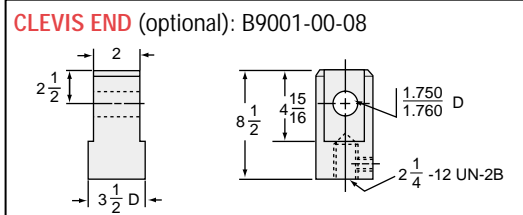
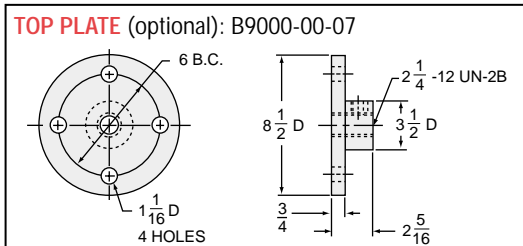
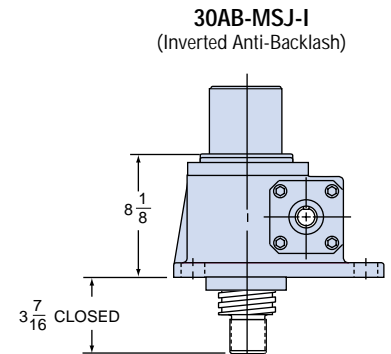
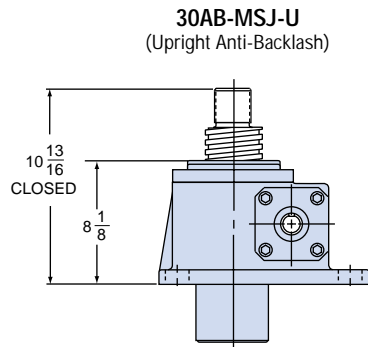
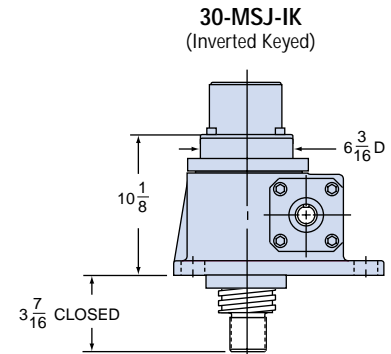
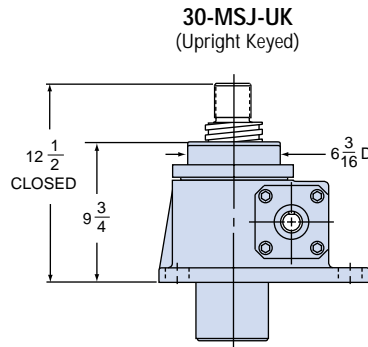
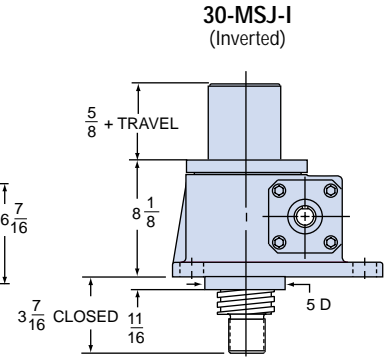
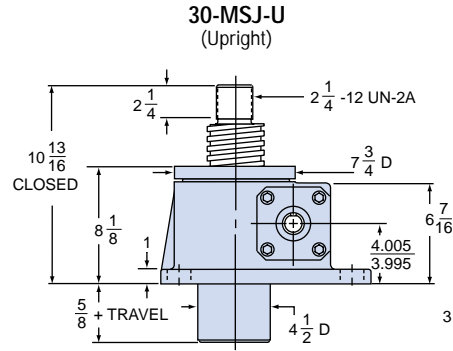


**2D/3D CAD Drawings**  
at [nookindustries.com](http://nookindustries.com)



**30-MSJ STANDARD SCREW**

SCREW: 3 3/8 - 1 1/2  
ROOT DIAMETER: 2.652  
DRAG TORQUE: 40 IN.-LB.  
START TORQUE: 2 x Running Torque  
WEIGHT (Approx. in Pounds)  
"0" TRAVEL: 145.0  
PER INCH TRAVEL: 2.9  
GREASE: 3.5

RATIO	TURNS OF WORM PER INCH TRAVEL	TORQUE TO RAISE ONE LB.		MAX. HP	MAX. WORM SPEED AT RATED LOAD		MAX. LOAD AT 1750 RPM	
		NON-KEYED	KEYED		NON-KEYED	KEYED	NON-KEYED	KEYED
10 <sup>2</sup> / <sub>3</sub> :1	16	.0452 in.-lbs.	.0520 in.-lbs.	11	256 rpm	222 rpm	8764 lbs.	7618 lbs.
32:1	48	.0235 in.-lbs.	.0270 in.-lbs.	3 1/2	156 rpm	136 rpm	5364 lbs.	4668 lbs.

LIFTING SCREW OR NUT MUST BE SECURED TO PREVENT ROTATION FOR NON-KEYED UNITS.

**CAUTION!** JACK MAY BE SELF-LOWERING IN SOME OPERATING CONDITIONS.