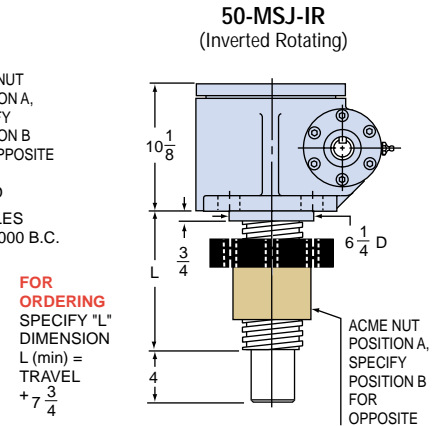
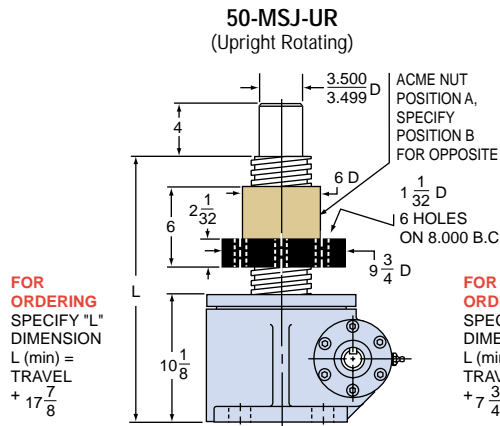
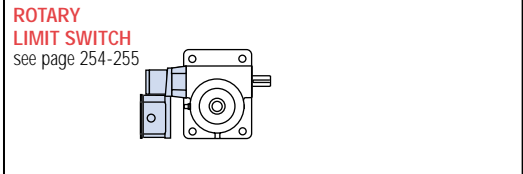
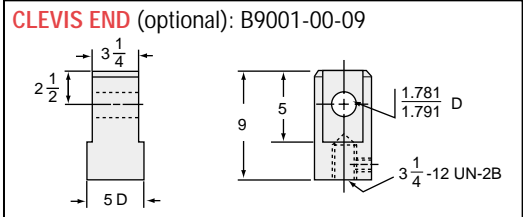
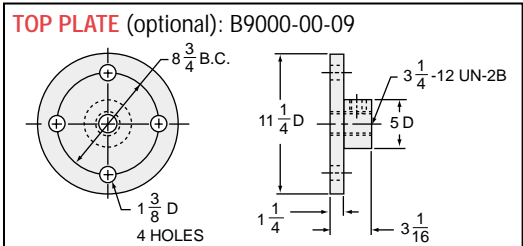
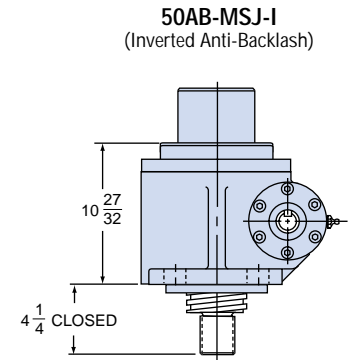
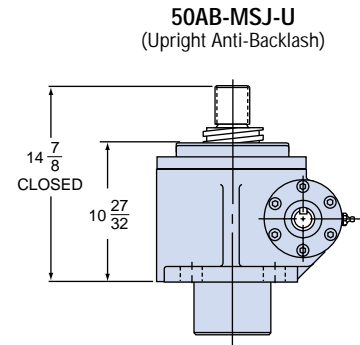
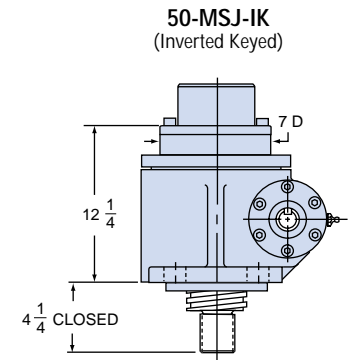
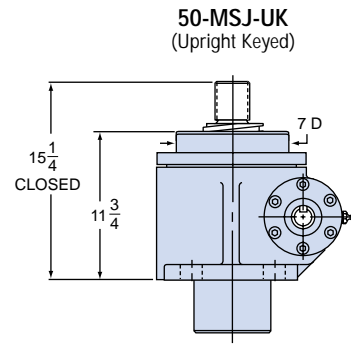
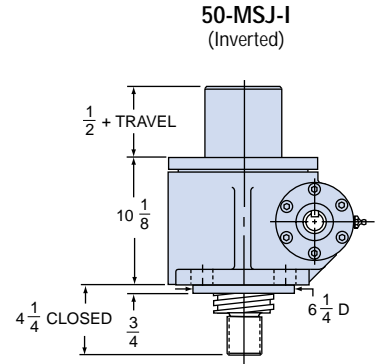
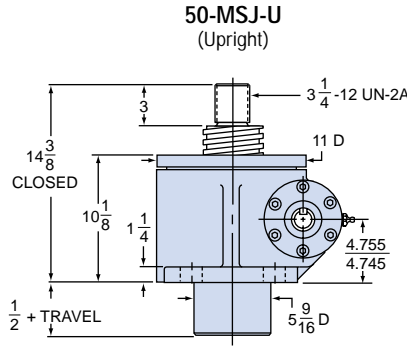


2D/3D CAD Drawings
at nookindustries.com



50-MSJ STANDARD SCREW

SCREW: 4 1/2 - 1 1/2
ROOT DIAMETER: 3.782
DRAG TORQUE: 100 IN.-LB.
START TORQUE: 2 x Running Torque
WEIGHT (Approx. in Pounds)
"0" TRAVEL: 280.0
PER INCH TRAVEL: 5.0
GREASE: 5.8

RATIO	TURNS OF WORM PER INCH TRAVEL	TORQUE TO RAISE ONE LB.		MAX. HP	MAX. WORM SPEED AT RATED LOAD		MAX. LOAD AT 1750 RPM	
		NON-KEYED	KEYED		NON-KEYED	KEYED	NON-KEYED	KEYED
10 ² :1	16	.0555 in.-lbs.	.0638 in.-lbs.	16	181 rpm	158 rpm	10382 lbs.	9032 lbs.
32:1	48	.0301 in.-lbs.	.0346 in.-lbs.	5	104 rpm	91 rpm	5982 lbs.	5204 lbs.

LIFTING SCREW OR NUT MUST BE SECURED TO PREVENT ROTATION FOR NON-KEYED UNITS.

CAUTION! JACK MAY BE SELF-LOWERING IN SOME OPERATING CONDITIONS.